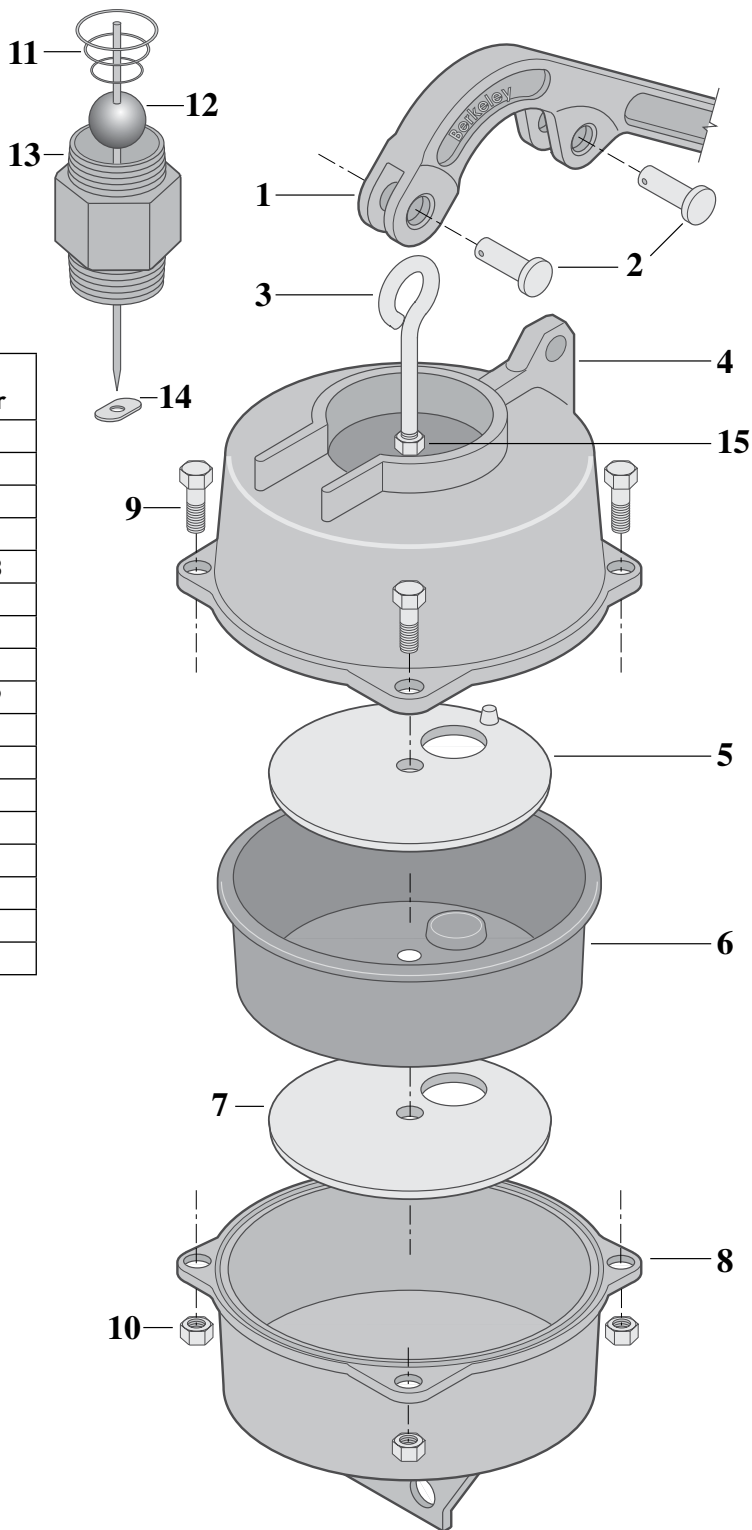


Section	PA
Page	10.1
Date	March 4, 2013
Supersedes 10/01/96	

**MODEL 6D**  
Catalog Number B50000

Item No.	Part Description	Part Number
1	Handle	L01221
2	Pin, Clevis 3/8" [2 Req.]	S28333
•	Pin, Cotter [2 Req.]	S14923
3	Rod, Diaphragm	S08561
4	Housing, Upper	M03258
5	Diaphragm Retainer Plate - Top	S08816
6	Diaphragm	S05467
7	Diaphragm Retainer Plate - Bottom	S05470
8	Housing, Lower	M03259
9	Capscrew, 3/8-16 [4 Req.]	S24893
10	Nut, Hex 3/8-16 [4 Req.]	S26456
11	Spring, Check Valve	S10893
12	Rod and Ball Assembly	S08789
13	Seat, Check Valve	S08788
14	Guide, Check Valve	S08813
15	Locknut, [2 Req.]	S27159
•	Bushing	S12324



2569 0896