



# JaecoPAK Pump Parts List

Reference DWG 00220

**Complete Pump Model & Serial # are required on all parts orders**

Item #	Part #	Description
1	00001-G001	Pump Housing, Model 104-112 w/ Hardware & Gaskets
	00215-G001	Pump Housing, Model 120 w/ Hardware & Gaskets
2	00118-G001	Eccentric Assembly, Cast Iron w/ Screw (13) & Scale
	00118-G011	Eccentric Assembly, Ductile Iron w/ Screw (13) & Scale (Model 120 or Severe Duty)
3	00003-P001	Crosshead
11	00011-G001	Stroke Indicator
12	00012-P001	Tee Bolt
13*	00013-P001	Adjusting Screw, Eccentric
18**	00015-G031	Retaining Screw, Plunger w/ Washer
19	00015-G011	Bolt with Washer (Set of 4)
22	00017-P011	Locknut
23	00018-G051	Set Screw, Eccentric (Set of 2)
24	00018-P021	Set Screw, Cylinder
25	00020-P011	Grease Fitting, Cylinder
26	00020-P041	Grease Fitting, Crosshead (45°)
27	00021-P011	Grease Relief Fitting, Cylinder
30	00119-P031	Clevis Pin
31+	00025-G001	Connecting Rod Assembly
34	00028-P011	Key, Eccentric
41	00037-G002	Coupling Assembly, 5/8" X 5/8" (NEMA 56 Motor)
N/A	00037-P030	Coupling Insert Only (Spyder)
43	00019-G041	Gear Reducer Bolt (Set of 4)
44	00190-G002	Motor Support w/ Hardware (Set of 4)
45	00028-P011	Key, Coupling
46	00183-P001	Baseplate, NEMA 56
51	00169-G005	Guard, Coupling w/ Mounting Screws
53	00240-G000	Guard, Eccentric w/ Mounting Screws
54	00010-G001	Breather Assembly (Optional)

+ Recommended Spare Part

\*Included with Eccentric (Item #2)

\*\*Included with Plunger (Item #6)



## JaecoPAK Gear Reducer Parts List

Reference DWG 00188 & 50129

**Complete Pump Model & Serial # are required on all parts orders**

Item #	Part #	Description
201	41014-P121	Oil Plug
202	00019-P231	Screw, Hex Head Cap
203	00045-P001	Cap, Input (Blind)
204	00059-P030	Gasket, Input
205	00175-P001	Input Adjuster
206	00067-G001	Bearing Set, Input
207	50075-P050	Fill Plug
208	00028-P021	Key
209	00044-P001	Input Spacer
210	00046-P001	Cap, Input (Open)
211	00062-P020	Oil Seal, Input
212	00057-P021	Output Shaft
213	00062-P010	Oil Seal, Output
214	00041-G001	Gasket Set, Output
215	00068-G001	Bearing Set, Output
216	00051-P001	Housing, Gear Reducer
217	00117-G00X	Gear Set (Input Worm & Output Gear)
218	00060-P001	Output Spacer
219	00052-P021	Cap, Output
220	00019-P231	Screw, Hex Head Cap
221	00121-P080	Nyltite Washer
225	00010-G001	Breather Assembly (optional)
N/A	50076-P040	EP-150 Gear Oil, Pint

### Replacement Gear Reducers

Part #	Description
91101-GXX0	JaecoPAK Simplex Gear Reducer
91101-GXX0	JaecoPAK Duplex Gear Reducer



# JaecoPAK Liquid End Parts List

Reference DWG 00220

**Complete Pump Model & Serial # are required on all parts orders**

Item #	Description	Material	Pump Model					
			104 (1/4")	106 (3/8")	108 (1/2")	110 (5/8")	112 (3/4")	120 (1-1/4")
4	Cylinder	316 SS (Standard)	00090-P003	00091-P003	00092-P003	00093-P003	00094-P003	00214-P003
		Alloy 20	00090-P004	00091-P004	00092-P004	00093-P004	00094-P004	00214-P004
5	Gland Nut	316 SS (Standard)	00070-P003	00071-P003	00072-P003	00073-P003	00074-P003	00217-P003
		Alloy 20	00070-P004	00071-P004	00072-P004	00073-P004	00074-P004	00217-P004
6	Plunger & Screw	316 SS (Standard)	00075-P003	00076-P003	00077-P003	00078-P003	00079-P003	00216-P003
		Alloy 20	00075-P004	00076-P004	00077-P004	00078-P004	00079-P004	00216-P004
		440 SS Hardened	00075-P001	00076-P001	00077-P001	00078-P001	00079-P001	00216-P001
7	Lantern Ring	Nylon (Standard)	00080-P000	00081-P000	00082-P000	00083-P000	00084-P000	30035-P300
		316 SS	00080-P003	00081-P003	00082-P003	00083-P003	00084-P003	30035-P303
		Alloy 20	00080-P004	00081-P004	00082-P004	00083-P004	00084-P003	30035-P304
8	Double Ball Check Valve w/ Spring** (Discharge)	316 SS	50017-G012	50017-G012	50017-G012	50017-G012	50017-G012	N/A
		Alloy 20	50017-G013	50017-G013	50017-G013	50017-G013	50017-G013	N/A
8A*	Double Ball Check Valve w/ No Spring** (Suction)	316 SS	50017-G022	50017-G022	50017-G022	50017-G022	50017-G022	50021-G002
		Alloy 20	50017-G023	50017-G023	50017-G023	50017-G023	50017-G023	50021-G003
10*	(Standard) Single Ball Check Valve (Suction & Discharge)**	316 SS	00203-G003	00203-G003	00203-G003	00203-G003	00203-G003	50155-G003
		Alloy 20	00203-G004	00203-G004	00203-G004	00203-G004	00203-G004	50155-G004
33*	Packing Set	Neoprene	00085-P020	00086-P020	00087-P020	00088-P020	00089-P020	30037-P213
		Teflon, PTFE	00085-P021	00086-P021	00087-P021	00088-P021	00089-P021	30037-P313
		Viton	00085-P023	00086-P023	00087-P023	00088-P023	00089-P023	30037-P413
		EPDM	00085-P024	00086-P024	00087-P024	00088-P024	00089-P024	30037-P513
47	Purge Port Plug	316 SS	41015-P213	41015-P213	41015-P213	41015-P213	41015-P213	41015-P213
		Alloy 20	41015-P124	41015-P124	41015-P124	41015-P124	41015-P124	41015-P124
47A	Purge Port Valve Assembly	316 SS	00187-G001	00187-G001	00187-G001	00187-G001	00187-G001	00187-G001
		Alloy 20	00187-G004	00187-G004	00187-G004	00187-G004	00187-G004	00187-G004

\* Recommended Spare Part

\*\* All Pumps use Standard Single Ball 3/8" Valves, Except Model 120 which is 1/2"



## JaecoPAK Pump Parts List

**For Items Where Part Number Varies by Size**

Size		Neoprene Packing	PTFE Packing	Plunger	Latern Ring
Pump Model	Plunger Dia.				
103	3/16"	N/A	00024-P021	00198-P003	N/A
104	1/4"	00085-P020	00085-P021	00075-P00X	00080-P00X
106	3/8"	00086-P020	00086-P021	00076-P00X	00081-P00X
108	1/2"	00087-P020	000887-P021	00077-P00X	00082-P00X
110	5/8"	00088-P020	00088-P021	00078-P00X	00083-P00X
112	3/4"	00089-P020	00089-P021*	00079-P00X	00084-P00X
120	1 1/4"	30037-P213	30037-P313	00216-P00X	30035-P300

\*For Spring Energized use Part # 31200-P001

Size		Cylinder	Gland Nut	Coupling Halves & Assemblies
Pump Model	Plunger Dia.			
103	3/16"	N/A	N/A	NEMA 48 Coup. (1/2 x 5/8) 00037-G001
104	1/4"	00090-P00X	00070-P00X	
106	3/8"	00091-P00X	00071-P00X	NEMA 56 Coup. (5/8 x 5/8) 00037-G001
108	1/2"	00092-P00X	00072-P00X	Spyder Only 00037-P030
110	5/8"	00093-P00X	00073-P00X	Coup. Half, 1/2" Bore 00037-P011
112	3/4"	00094-P00X	00074-P00X	Coup. Half, 5/8" Bore 00037-P021
120	1 1/4"	00214-P00X	00217-P00X	

### X = Material Code

1 = Steel      2 = 316 SS      4 = Alloy 20      6 = Hastelloy C

**Complete pump model and serial number are required on all part orders.**

ITEM	DESCRIPTION
1	PUMP HOUSING W/BOLTS(19), WASHERS & GASKETS
2	ECCENTRIC ASSY. W/SCREW(13) & SCALE
3	CROSSHEAD
4	CYLINDER
5	GLAND NUT
6	PLUNGER W/SCREW
7	LANTERN RING
8	VALVE ASSY. DISCH. (DOUBLE BALL) OPTIONAL
8A	VALVE ASSY. SUCT. (DOUBLE BALL) OPTIONAL
10	VALVE ASSY. DISCH. & SUCT. (SINGLE BALL) STD.
11	WASHER AND POINTER
12	TEE BOLT
13	ADJUSTING SCREW
19	BOLT W/WASHER (SET OF 4)
22	LOCK NUT
23	SET SCREW (SET OF 2)
24	SET SCREW
25	GREASE FITTING
26	GREASE FITTING
27	GREASE RELIEF FITTING
30	CLEVIS PIN
31	CONNECTING ROD ASSEMBLY
33	PACKING
34	KEY
41	COUPLING
43	GEAR REDUCER BOLT(SET OF 4)
44	MOTOR SUPPORT W/WASHER & BOLT (SET OF 4)
45	KEY
46	BASEPLATE
47	PURGE PLUG (OPTIONAL)
51	COUPLING GUARD
53	ECCENTRIC GUARD
54	BREATHER ASSY. (OPTIONAL)

\* INDICATES RECOMMENDED SPARE PARTS

WHEN ORDERING SPARE PARTS BE SURE TO GIVE PUMP SERIAL & MODEL NUMBERS

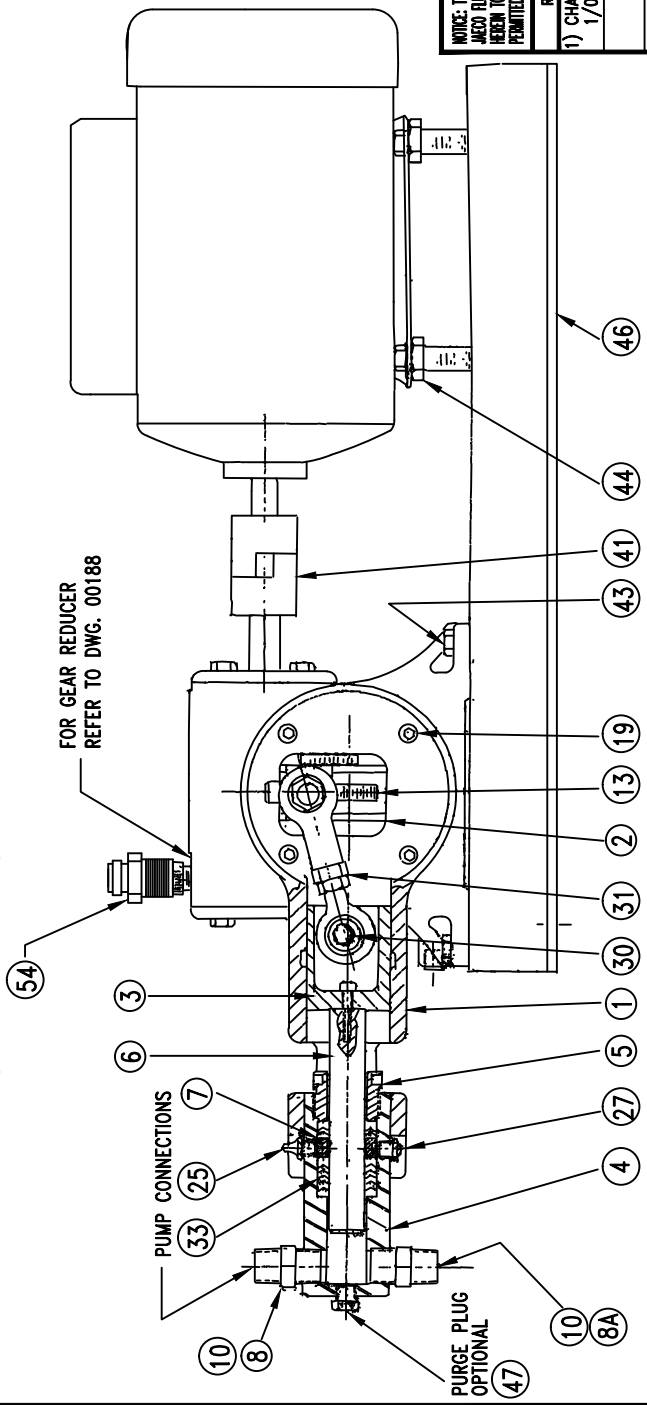
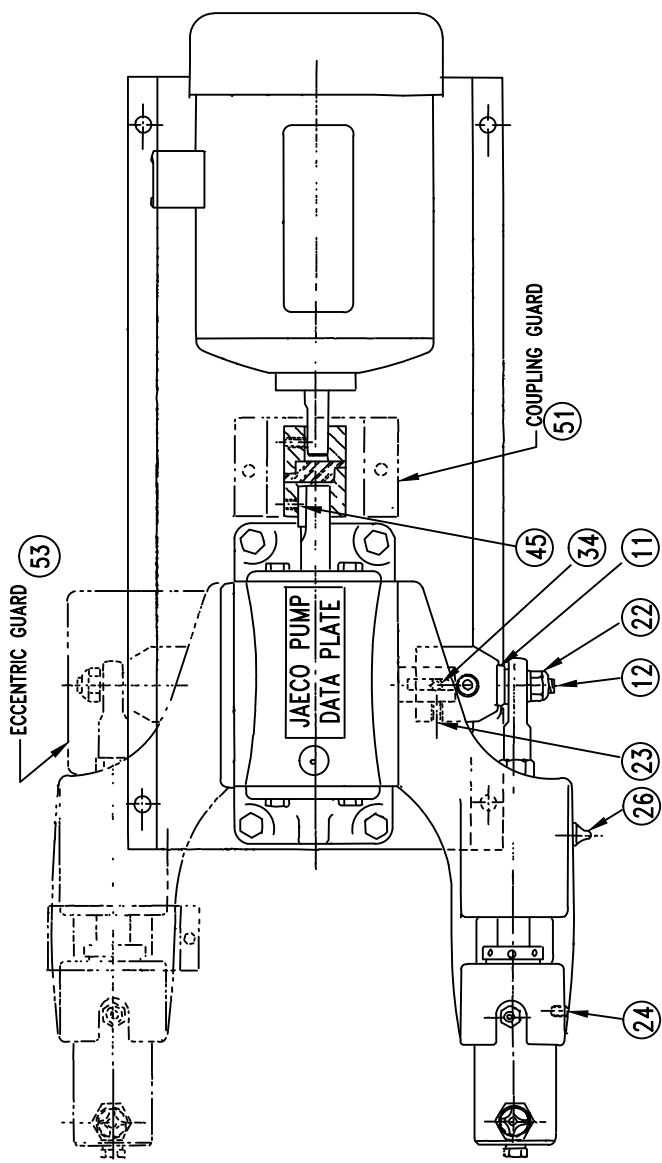
NOTICE: THIS DRAWING IS THE PROPERTY OF AND CONTAINS DESIGN DATA WHICH ARE PROPRIETARY TO JAEKO FLUID SYSTEMS, INC. REPRODUCTION, USE OR TRANSFER OF THIS DRAWING OR ANY INFORMATION CONTAINED HEREIN TO OTHERS EXCEPT AS SPECIFICALLY AUTHORIZED IN CONNECTION WITH THIS PROJECT ONLY, IS NOT PERMITTED WITHOUT PRIOR WRITTEN APPROVAL OF JAEKO FLUID SYSTEMS, INC.

REVISIONS  
 1) CHANGE PAGE NO. 1/05 JPC

JAEKO FLUID SYSTEMS, INC.  
 17 LEE BLVD. STE. D  
 MALVERN, PA 19355-1234

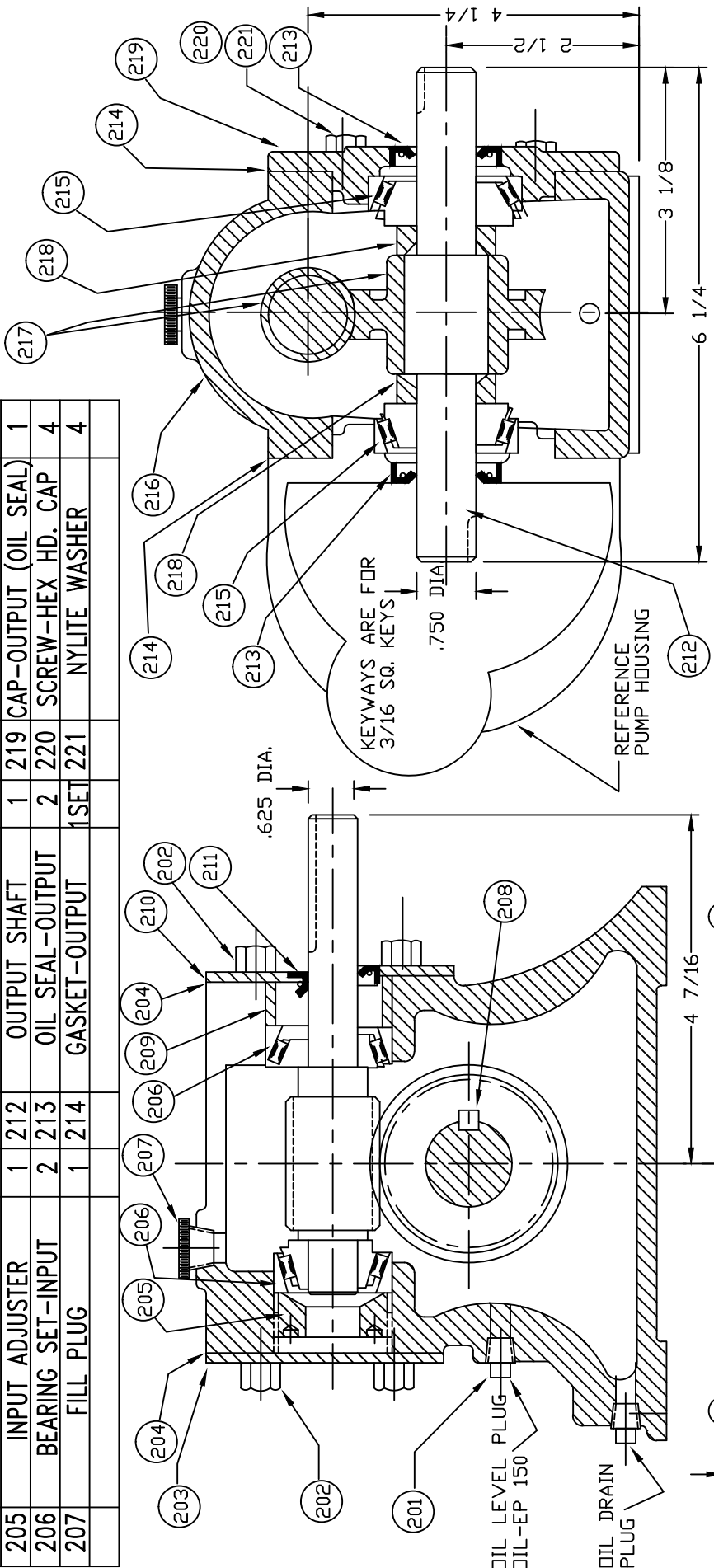
DATE 4-18-85  
 DR PRT  
 CHKD  
 SCALE NONE

PARTS CROSS SECTION  
 JAEKOPAK 1  
 DWG NO. 00220  
 REV. 1  
 PAGE 14.01D



IMPORTANT: WHEN ORDERING SPARE PARTS, BE SURE TO INCLUDE PUMP MODEL NO. AND SERIAL NO.

ITEM	DESCRIPTION	QTY	ITEM	DESCRIPTION	QTY	ITEM	DESCRIPTION	QTY.
201	OIL PLUG	2	208	KEY	1	215	BEARING SET OUTPUT	2
202	SCREW-HEX HD CAP	8	209	INPUT SPACER	1	216	HOUSING	1
203	CAP-INPUT(BLIND)	1	210	CAP-INPUT(OIL SEAL)	1	217	GEAR SET	1SET
204	GASKET-INPUT	2	211	OIL SEAL-INPUT	1	218	HUB SPACER	2
205	INPUT ADJUSTER	1	212	OUTPUT SHAFT	1	219	CAP-OUTPUT (OIL SEAL)	1
206	BEARING SET-INPUT	2	213	OIL SEAL-OUTPUT	2	220	SCREW-HEX HD. CAP	4
207	FILL PLUG	1	214	GASKET-OUTPUT	1SET	221	NYLITE WASHER	4



NOTICE: THIS DRAWING IS THE PROPERTY OF AND CONTAINS DESIGN DATA WHICH ARE PROPRIETARY TO JAEKO FLUID SYSTEMS, INC. REPRODUCTION, USE OR TRANSFER OF THIS DRAWING OR ANY INFORMATION CONTAINED HEREIN TO OTHERS EXCEPT AS SPECIFICALLY AUTHORIZED IN CONNECTION WITH THIS PROJECT ONLY, IS NOT PERMITTED WITHOUT PRIOR WRITTEN APPROVAL OF JAEKO FLUID SYSTEMS, INC.

1) REDRAWN 5-25-05 JPC	UNLESS OTHERWISE SPECIFIED DIMENSIONS IN INCHES
	MACHINE TOLERANCE DECIMAL ± .005 FRACTIONS ± 1/64 ANGLES ± 0°-30

<b>JAEKO FLUID SYSTEMS, INC.</b> 17 LEE BLVD. STE. D MALVERN, PA. 19355-1234	
DATE 8-30-88	GEAR REDUCER JAEKOPAK 1
DR PRT	DWG NO. 00188
CHKD	PAGE 14.02C
SCALE NONE	REV. 1

